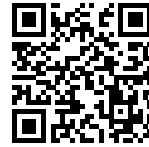


## Top Inox FL

Brushed finish tank on the right

Rangetop and Top inox

Code: 3589 001



### DETAILS

Material AISI 304 stainless steel

---

Texture Brushed in line

---

Dimensions 2400x600 mm

---

Full description Top stainless FL - 2400x600 - thickness 20 mm

---

Heating element Five burners

---

Mixer holes 2 standard holes

---

Drainer No

---

Grids Cast iron grids and enamelled burner covers

---

Bowl dimension 720x320mm

---

Number of bowls 1 bowl

---

Waste fitting Drain with automatic PM control

---

Total power 10.500 W

---

Auxiliary 2x1.000 W

---

Semirapid 2 x 1.750 W

---

Dual 5.000 W

---

Safety Safety valve with quick-acting thermocouple

---

Ignition Electric ignition under knob

---

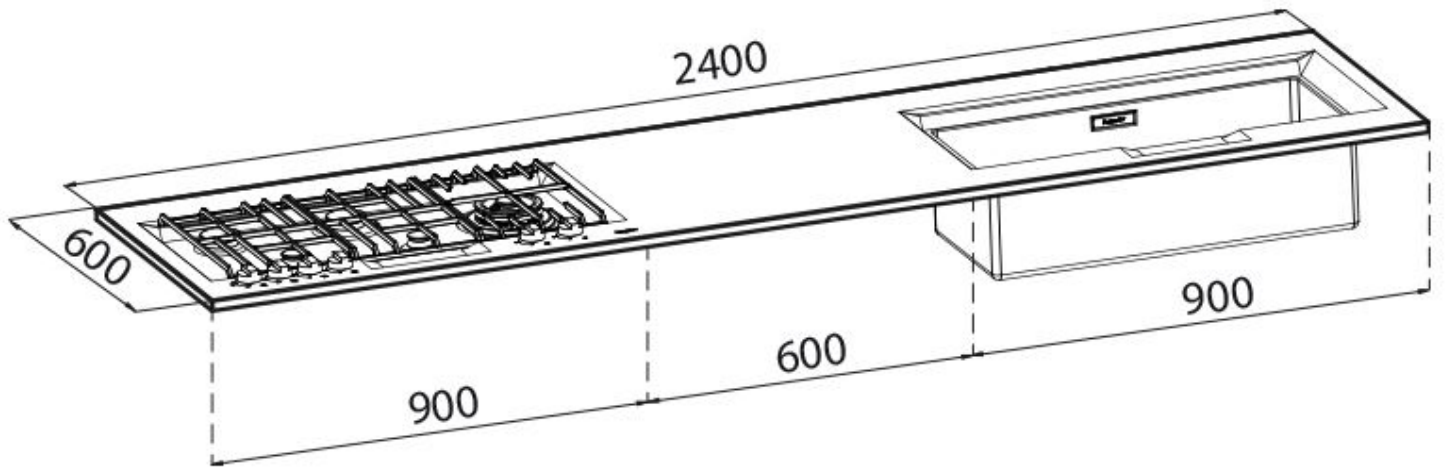
Gas type Tested for installation with natural gas, LPG nozzle set included.

---

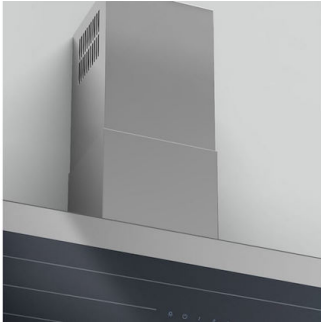
Type Gas Hob

---

## TECHNICAL DATA



## OPTIONAL ACCESSORIES



**\_telescopic chimney kit**  
2454 000



**Casper**  
8000 014